

Linearly guided pressing frame



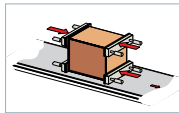
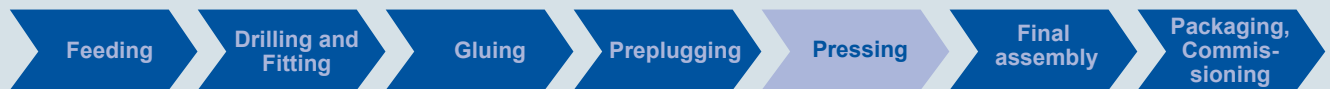
Operating panel



Crossing lamellas



Pressing cheeks with tolerance compensation



MPH 450 - *ADVANCED* - For the ambitious carcass assembly

This versatile and torsion-free carcass clamp was particularly developed for the efficient and flexible utilization in the field of craftsmen, in the interior finishing work as well as for the industrial special-purpose production.

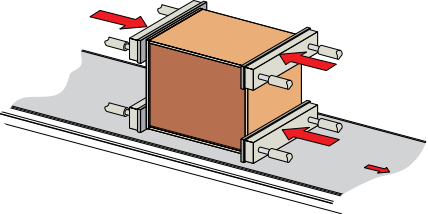
- No positioning of the pressing elements required
- The clamp is distinguished by an all-over pressing of carcasses, drawers, etc.
- Pressing surfaces with tolerance compensation, thanks to that compensation of workpiece tolerances and absolutely tight carcasses

- Highly stiff pressure unit
- Simplified drive concept
- Two pressing speeds
- Adjustable pressing pressure
- Variable basic machines for different carcass dimensions
- Simple operation by means of push-buttons

- MPC 410
- MPC 300
- MPC 100
- MDE 160
- MDE 120
- MPH 510
- MPH 450**
- MPH 410



HOMAG Automation GmbH
Ligmatech Str. 1
09638 Lichtenberg
Deutschland
www.homag-automation.com



MPH 450 - *ADVANCED* - For the ambitious carcass assembly

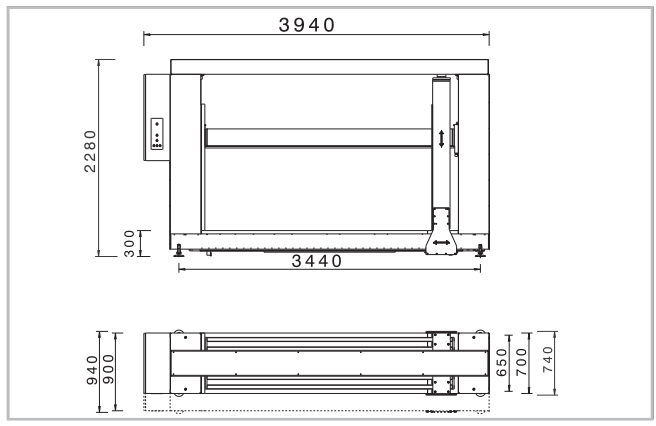
The basic machine consists out of a solid, buckling resistant welded construction. Horizontal and vertical pressure frame are designed as crossing, buckling resistant lamellas.

The pressing surface is covered with full floating plywooden plates. Thereby workpieces tolerances can be compensated to achieve completely closed cabinets.

Movement of pressure frames is effected by self-impending trapezoidal spindles and frequency contolled motors with two speeds.

The pressure frames are guided by solid linearguides.

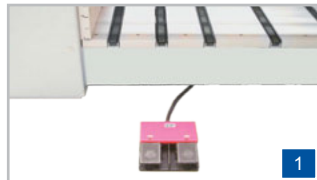
The carcasses are pressed centrally.



	MPH 450
corpus length	
MPH450/25/XX	250 - 2,500 mm
MPH450/30/XX	250 - 3,000 mm
corpus depth	
MPH450/XX/07	250 - 700 mm
MPH450/XX/09	250 - 900 mm
corpus height	150 - 1,400 mm
press capacity, vertical / horizontal	12 - 18 kN
fast motion	50 mm/s
slow motion	25 mm/s
working height	300 mm
weight	2.2 t
operating pressure (only by Option transverse conveying)	6 bar
transport interface	no
control	contactor control



- **1** Transverse-conveying roller
- **2** Carcass erecting device
- **3** Pre-assembly device



lifeline | service

- **eparts** Spare parts ordering online - around-the-clock !