

PT260-X Planer Thicknesser



The heart of any planer is the table and bed. The PT260-X features a cast iron thickening bed for strength and rigidity and boasts a 150 mm thickening capacity. The specially hardened surfacing tables are a generous 1 metre in length and will plane boards up to 260 mm wide.

The powerful induction motor enables the machine to remove up to 3 mm in a single pass. Beware cheap copies - they often use cheaper components (such as aluminium thickening tables) and poor quality motors, electrics and switches. We have sold thousands of these machines over many years and have continually upgraded and improved components and features so that we can give it our market leading 5 year guarantee with total confidence.

RRP £799.99

Wheelkit A pedal operated wheelkit is provided as standard allowing the machine to be easily re-positioned in the workshop for cutting long lengths of timber or whenever a change of position is required.

CONSUMABLES



RSPT260A Blades
Replacement planer blades for PT260.
RRP £39.99

OPTIONAL ACCESSORY



CWA195 Silicone Spray 500ml
Anti static properties make it ideal for treating machinery, designed to stop the adhering of many messy substances to most surfaces.
RRP £7.99

SPECIFICATIONS

THICKENER FEED RATE:
5 Metres / Minute
CUTTER BLOCK KNIVES: 2
CUTTER BLOCK DIAMETER:
63 mm
MAXIMUM THICKENING HEIGHT: 150 mm

MAXIMUM THICKENING WIDTH: 260 mm
MAXIMUM THICKENER DEPTH OF CUT: 3 mm
MAXIMUM PLANING WIDTH: 260 mm

MAXIMUM PLANER DEPTH OF CUT: 3 mm
PLANING TABLE LENGTH: 1000 mm
MOTOR: 2 1/4 hp
WEIGHT: 80 kg
SIZE: H914 x W280 x D1200 mm



Extraction and Guard Hood Fits quickly and easily for thickening and engages a micro-switch to ensure it is in place before use.



Cutter Block The PT260-X features a 2 knife cutterblock with re-sharpenable, removable blades. The feed mechanism features noise reduction slots and anti-kickback teeth which prevent the material being thrown back when thickening.





Fence The fence can tilt from 0-45° on a positive stop to make re-setting an easier task.

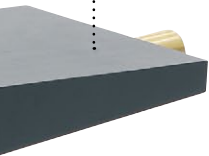


Table Hardened 1 m long tables are treated to reduce friction, allowing easier movement of stock.

Safety Features A mechanically braked motor is fitted to this machine. The industrial solution to motor braking, providing reliable performance and stopping inside 10 seconds.

Rise and Fall Features a large easy to read scale and adjustment is via four threaded support bars with brass insets operated by a simple handwheel.



What They Say...

"In use the Record performs well. It feels solid and secure and the finish is good. The wheel kit is a real boon, making it easy to push the machine around the workshop. Overall this is a good all rounder and with that 5 year guarantee, it certainly looks enticing."

Value ★★★★★

Performance ★★★★★

The Woodworker

"I fed some 180mm wide pine through the thicknesser at a 2mm depth of cut, getting excellent results without straining the motor...it's useful to know the Record will cope. For it's price the ... Record is excellent value."

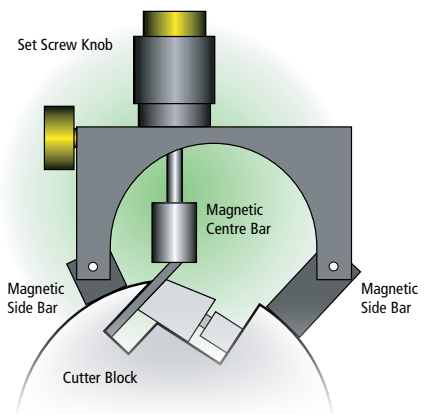


Good Woodworking

RPPSJ Planer Blade Setting Jig with Micro Adjust

Makes knife setting simple, easy and accurate. The jig fixes to the cutter block magnetically and with the blades loose in the block the dial and gauge control the setting rod which attaches to the blade magnetically and allows you to make precise settings easily. Then you simply lock off the blades, remove the jig and get working again - all in a matter of minutes. Suitable for all common planers from 10" to 16".

RRP £49.99



What They Say...

"This very handy piece of kit will save you hours of frustration and, more importantly, drastically improve the performance of your planer...and really does what it says on the box."

Router & Power Woodworking